

TA-AX301

SERVICE MANUAL

US Model
Canadian Model
E Model



This set is the amplifier
Section in SEN-301.

SPECIFICATIONS

AUDIO POWER SPECIFICATIONS

POWER OUTPUT AND TOTAL HARMONIC DISTORTION:
With 8 ohm loads both channels driven, from 20–20,000 Hz; rated 110 watts per channel minimum RMS power, with no more than 0.9% total harmonic distortion from 250 milliwatts to rated output.

General

Power requirements 120 V AC, 60 Hz (US, Canadian)
120/220/240V AC, 50/60Hz (E)
Power consumption 200 W
AC outlet 1 switched, 100 W max.

Design and specifications subject to change without notice.

Amplifier section

Input

	Sensitivity	Impedance
PHONO	3.0 mV	50 kilohms
TUNER/CD/ VIDEO/TAPE	250 mV	50 kilohms

Output REC OUT: Voltage 150 mV, impedance 1 kohms

SPEAKER: Accepts speakers of 8 to 16 ohms
HEADPHONES: Accepts headphones with low and high impedance

Frequency response PHONO: RIAA curve
TUNER/CD/VIDEO/TAPE: 30 Hz–30 kHz±3 dB

GRAPHIC EQUALIZER controls
Boost/cut range:
±8 dB (100 Hz, 330 Hz, 1 kHz, 3.3 kHz)
±6 dB (10 kHz)

Dimensions Approx. 430 × 130 × 355 mm (w/h/d)
(17 × 5¹/₈ × 14 inches)

Weight Approx. 8.5 kg (18 lb 12 oz)

INTEGRATED STEREO AMPLIFIER
SONY®

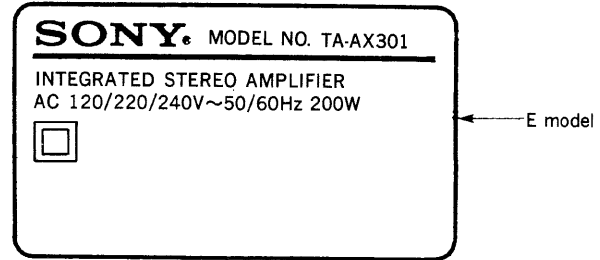
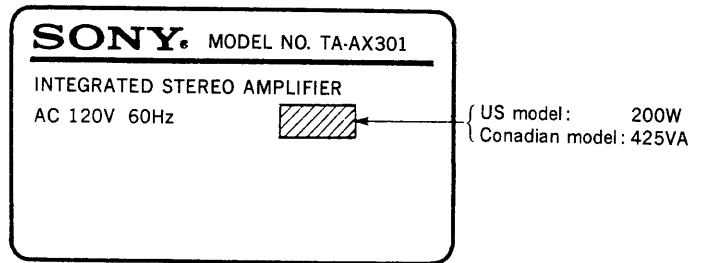


TABLE OF CONTENTS



<u>Section</u>	<u>Title</u>	<u>Page</u>
1. DISASSEMBLY		
1-1.	Removal of the Front Panel	3
1-2.	Removal of the Q511	3
2. ELECTRICAL ADJUSTMENT		4
3. DIAGRAMS		
3-1.	Block Diagram	5
3-2.	Circuit Boards Location	8
3-3.	Printed Wiring Boards	9
3-4.	Schematic Diagram	13
3-5.	Semiconductor Lead Layouts.....	17
4. EXPLODED VIEWS		
4-1.	Case, Front Panel Section	18
4-2.	Chassis Section	19
5. ELECTRICAL PARTS LIST		20

MODEL IDENTIFICATION


—Model Number Label—



SAFETY-RELATED COMPONENT WARNING!!

COMPONENTS IDENTIFIED BY MARK  OR DOTTED LINE WITH MARK  ON THE SCHEMATIC DIAGRAMS AND IN THE PARTS LIST ARE CRITICAL TO SAFE OPERATION. REPLACE THESE COMPONENTS WITH SONY PARTS WHOSE PART NUMBERS APPEAR AS SHOWN IN THIS MANUAL OR IN SUPPLEMENTS PUBLISHED BY SONY.

ATTENTION AU COMPOSANT AYANT RAPPORT À LA SÉCURITÉ!

LES COMPOSANTS IDENTIFIÉS PAR UNE MARQUE  SUR LES DIAGRAMMES SCHÉMATIQUES ET LA LISTE DES PIÈCES SONT CRITIQUES POUR LA SÉCURITÉ DE FONCTIONNEMENT. NE REMPLACER CES COMPOSANTS QUE PAR DES PIÈCES SONY DONT LES NUMÉROS SONT DONNÉS DANS CE MANUEL OU DANS LES SUPPLÉMENTS PUBLIÉS PAR SONY.

SAFETY CHECK-OUT

After correcting the original service problem, perform the following safety checks before releasing the set to the customer:

LEAKAGE TEST

The AC leakage from any exposed metal part to earth ground and from all exposed metal parts to any exposed metal part having a return to chassis, must not exceed 0.5 mA (500 microampers). Leakage current can be measured by any one of three methods.

1. A commercial leakage tester, such as the Simpson 229 or RCA WT-540A. Follow the manufacturers' instructions to use these instruments.
2. A battery-operated AC milliammeter. The Data Precision 245 digital multimeter is suitable for this job.
3. Measuring the voltage drop across a resistor by means of a VOM or battery-operated AC voltmeter. The "limit" indication is 0.75 V, so analog meters must have an accurate low-

voltage scale. The Simpson 250 and Sanwa SH-63Trd are examples of a passive VOM that is suitable. Nearly all battery operated digital multimeters that have a 2V AC range are suitable. (See Fig. A)

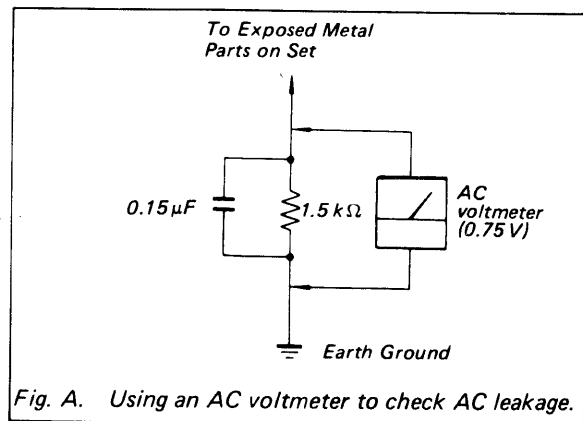
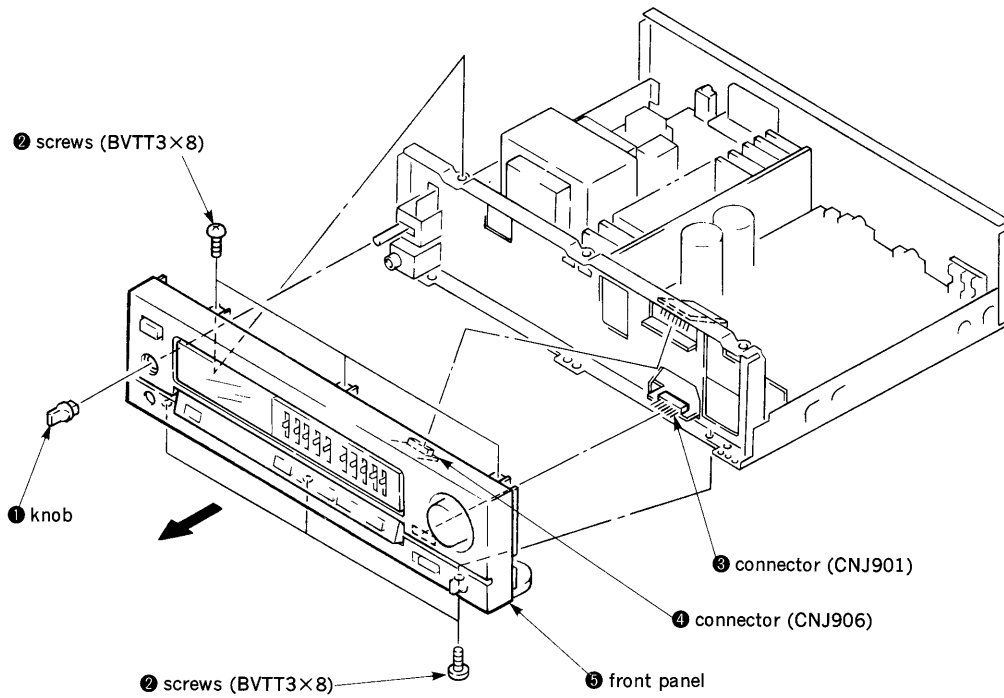


Fig. A. Using an AC voltmeter to check AC leakage.

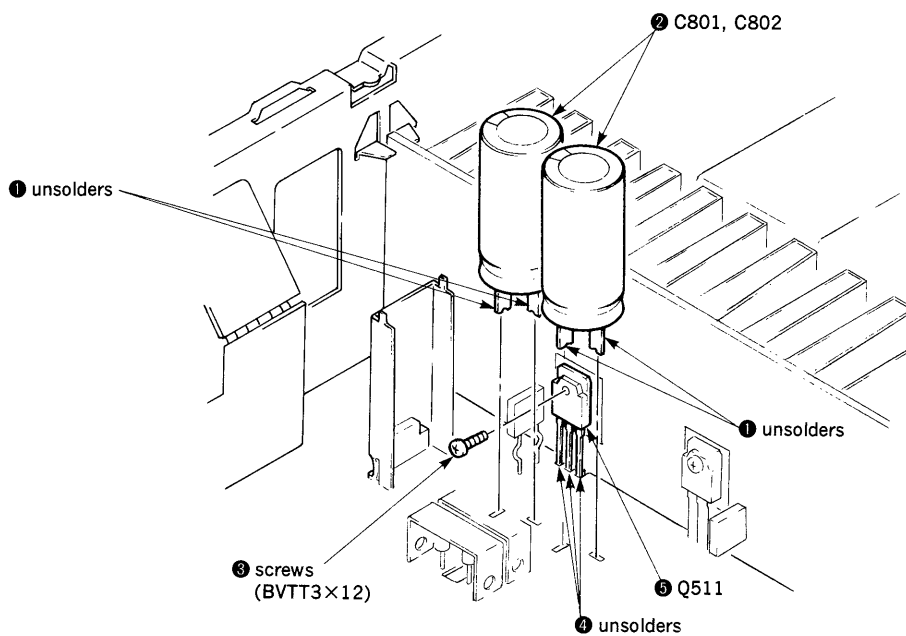
SECTION 1 DISASSEMBLY

Note: Follow the disassembly procedure in the numerical order given.

1-1. REMOVAL OF THE FRONT PANEL



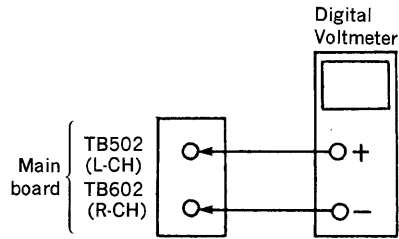
1-2. REMOVAL OF THE Q511



SECTION 2 ELECTRICAL ADJUSTMENT

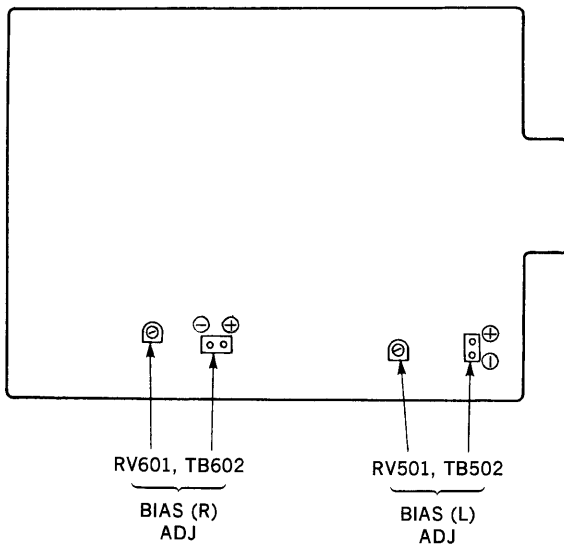
Bias Adjustment

Procedure :



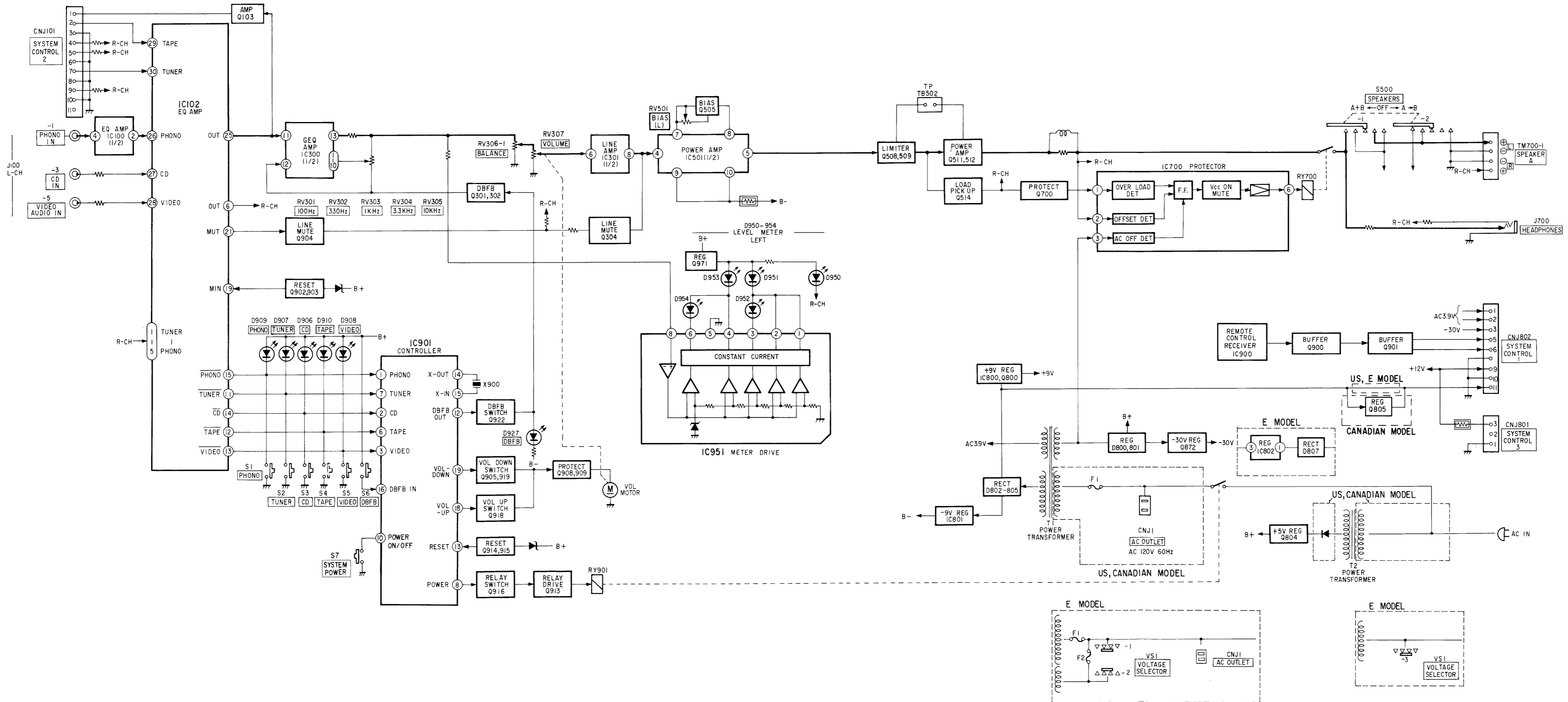
1. Turn ON the power by connecting a digital voltmeter with test pins TB502 (L-CH) and TB602 (R-CH).
2. Adjust to 1.5mV with RV501 (L-CH) and RV601 (R-CH) so that the indicator of digital voltmeter when the power is turned ON.

Adjustment Location : main board

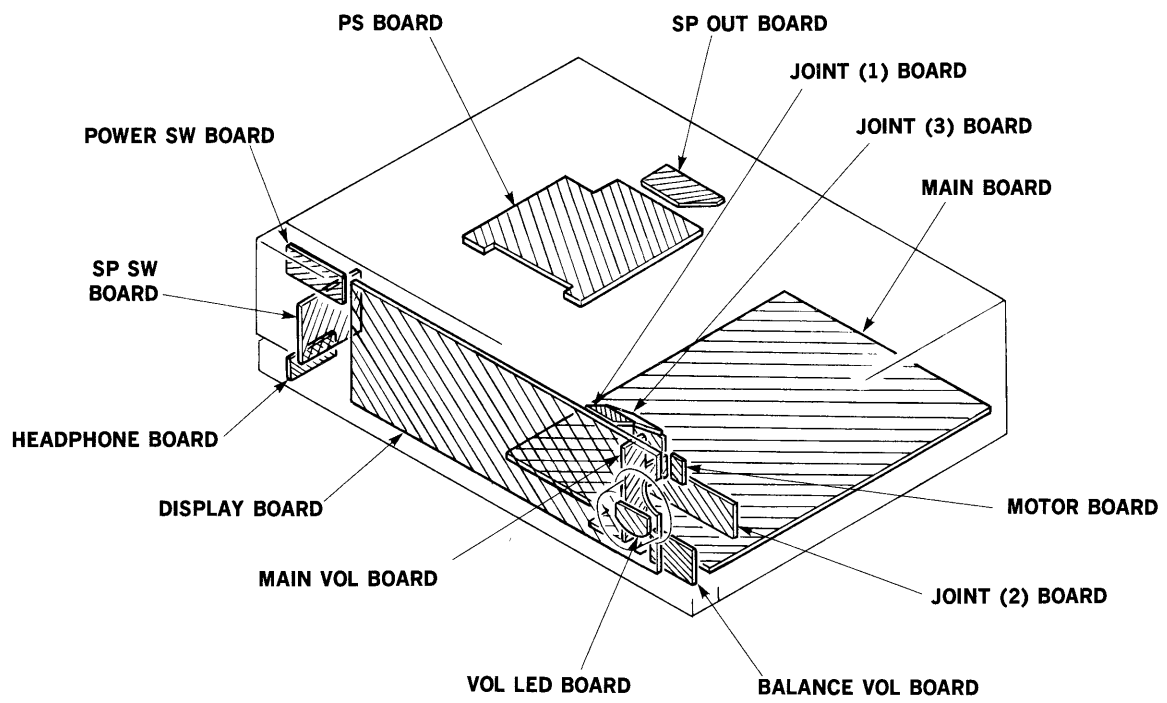


SECTION 3 DIAGRAMS

3-1. BLOCK DIAGRAM



3-2. CIRCUIT BOARDS LOCATION

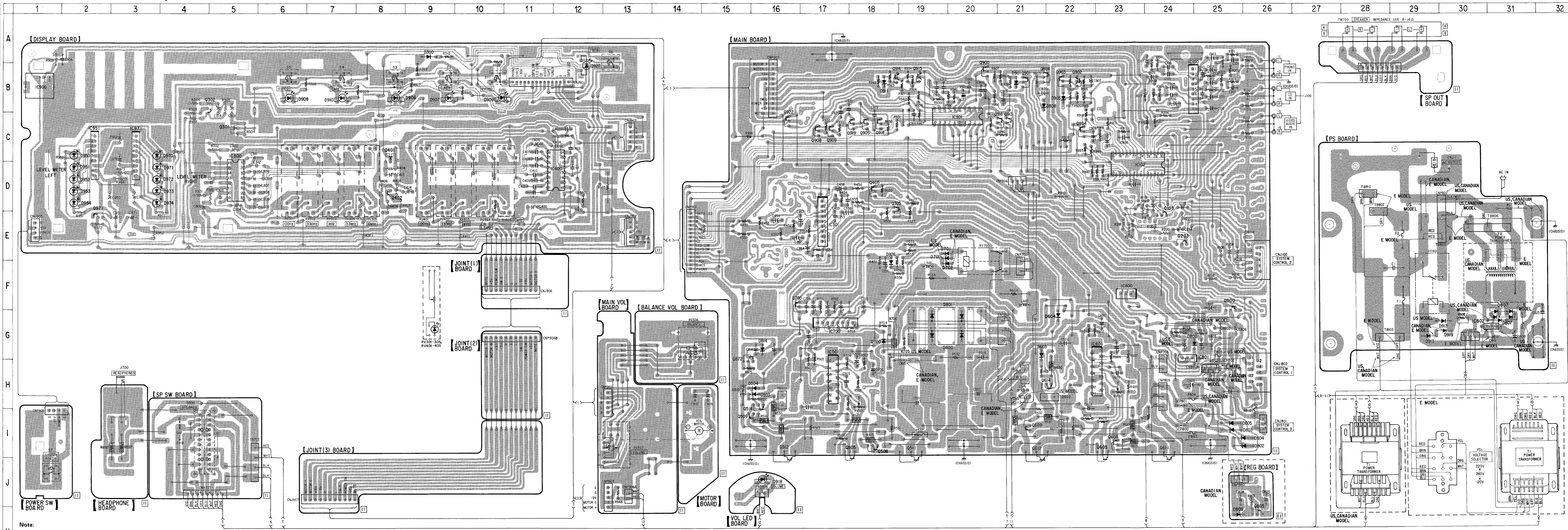


• Semiconductor Location

Ref. No.	Location	Ref. No.	Location
D300	A-9	Q401	C-8
D503	H-16	Q402	D-8
D504	H-16	Q405	D-18
D603	H-21	Q505	I-18
D604	G-22	Q508	I-18
D700	G-18	Q509	I-16
D701	E-20	Q511	I-19
D702	F-20	Q512	I-16
D800	G-20	Q514	I-16
D801	G-20	Q605	I-23
D802	I-26	Q608	I-23
D803	I-25	Q609	I-21
D804	I-26	Q611	I-24
D805	I-25	Q612	I-21
D806	G-25	Q614	H-22
D807	G-31	Q700	F-17
D808	B-22	Q800	G-25
D809	K-25	Q804	B-22
D814	G-16	Q805	K-26
D901	B-21	Q872	H-16
D905	B-22	Q900	B-20
D906	B-8	Q901	B-21
D907	B-9	Q902	B-22
D908	B-6	Q903	B-22
D909	B-10	Q904	C-22
D910	B-7	Q905	C-18
D911	B-18	Q908	C-17
D913	G-30	Q909	C-17
D918	J-16	Q913	C-21
D919	G-30	Q914	B-19
D926	F-18	Q915	B-19
D927	B-12	Q916	C-21
D950	C-2	Q918	C-18
D951	D-2	Q919	C-18
D952	D-2	Q922	C-16
D953	D-2	Q971	E-2
D954	D-2		
D970	C-4		
D971	D-4		
D972	D-4		
D973	D-4		
D974	D-4		
IC100	B-25		
IC102	D-23		
IC300	D-5		
IC301	E-17		
IC400	D-12		
IC501	H-17		
IC601	H-23		
IC700	G-17		
IC800	F-23		
IC801	H-24		
IC802	G-31		
IC900	B-1		
IC901	C-20		
IC951	C-2		
IC971	C-3		
Q103	E-24		
Q203	E-24		
Q301	C-5		
Q302	B-5		
Q305	E-19		

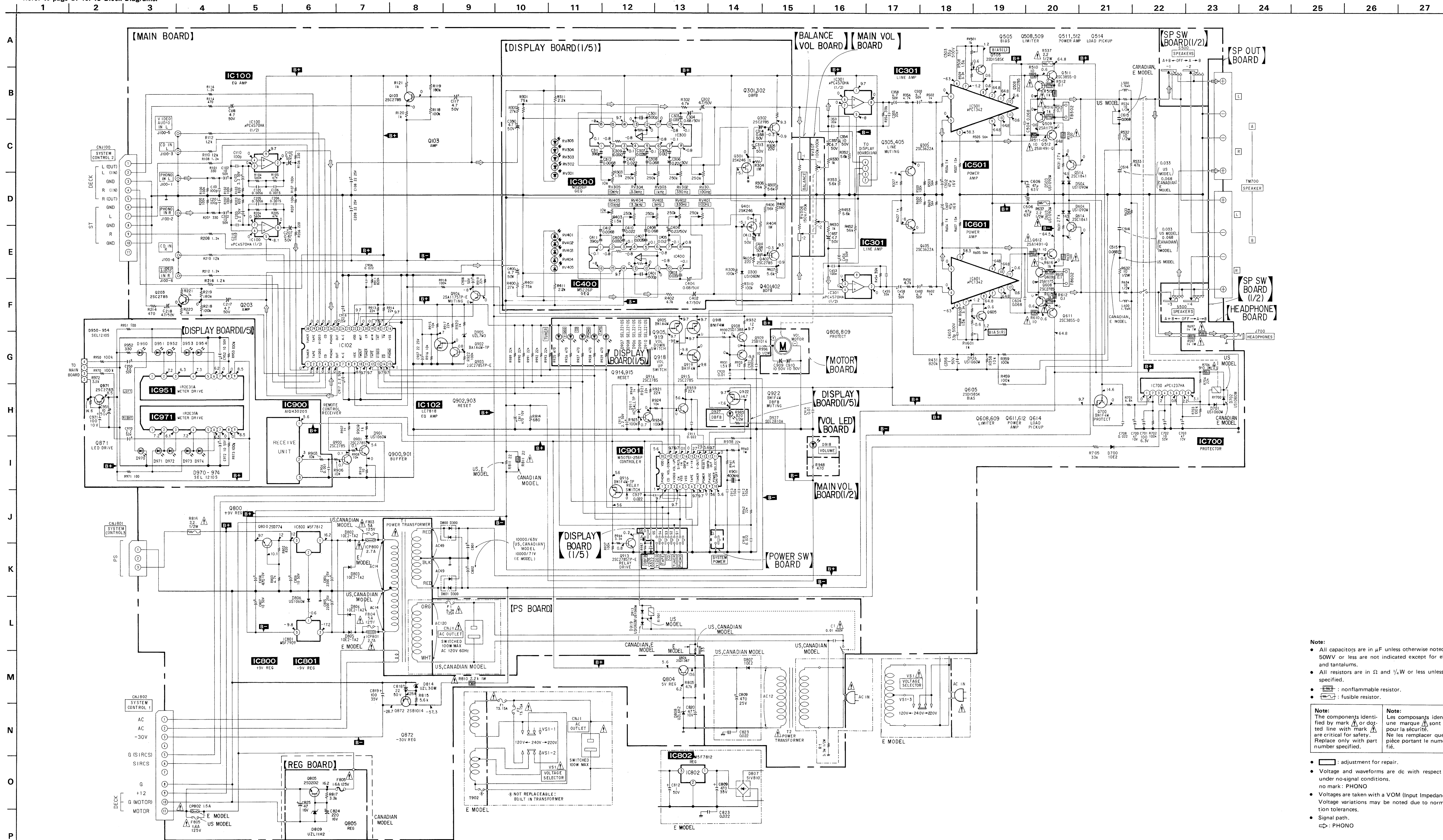
3-3. PRINTED WIRING BOARDS

• Refer to page 17 for Semiconductor Lead Layouts.



3-4. SCHEMATIC DIAGRAM

Refer to page 17 for IC Block Diagrams.



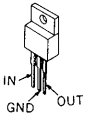
Note:
 • All capacitors are in μF unless otherwise noted. pF : μF 50WV or less are not indicated except for electrolytics and tantalums.
 • All resistors are in Ω and $\frac{1}{4}\text{W}$ or less unless otherwise specified.
 • : nonflammable resistor.
 • : fusible resistor.

Note:
 The components identified by mark or dotted line with mark are critical for safety. Replace only with part number specified.
Note:
 Les composants identifiés par une marque ou une ligne pointillée avec une marque sont critiques pour la sécurité. Ne les remplacer que par une pièce portant le numéro spécifié.

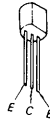
• : adjustment for repair.
 • Voltage and waveforms are dc with respect to ground under no-signal conditions.
 no mark: PHONO
 • Voltages are taken with a VOM (Input Impedance 10M Ω). Voltage variations may be noted due to normal production tolerances.
 • Signal path.
 \Rightarrow : PHONO

3-5. SEMICONDUCTOR LEAD LAYOUTS

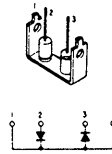
M5F7812



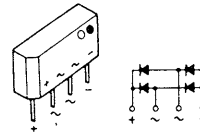
2SB1116
2SC1841-PAFAEA
2SC3622A-LK
2SD1387
2SD1616A-K



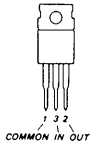
D300



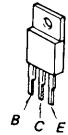
S1VB40



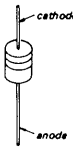
M5F7909



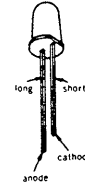
2SD2012



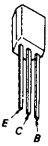
HZS30-2L
HZS6C2L
HZS7B3L
1SS120



SEL1210S



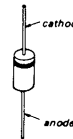
DTA124ES
DTC114ES
DTC124ES
2SC2603-EF



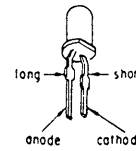
2SD774-34



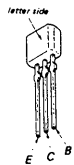
HZ5ALL
UZL-11H2
1S1585
10E2
10E2N



SEL2210S-C
SEL2810A-C



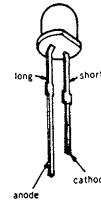
2SA1175-HFE
2SC2785-HFE



2SK246-BL

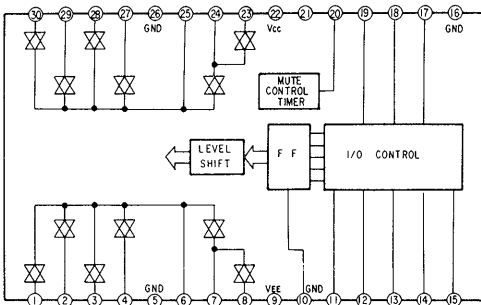


SEL2510C

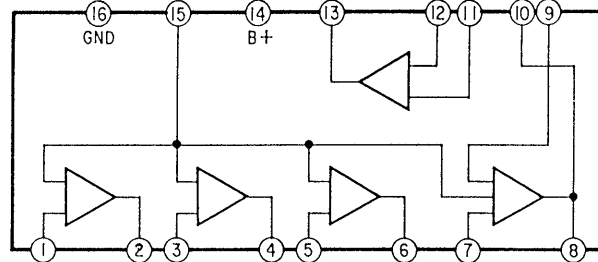


• IC Block Diagrams

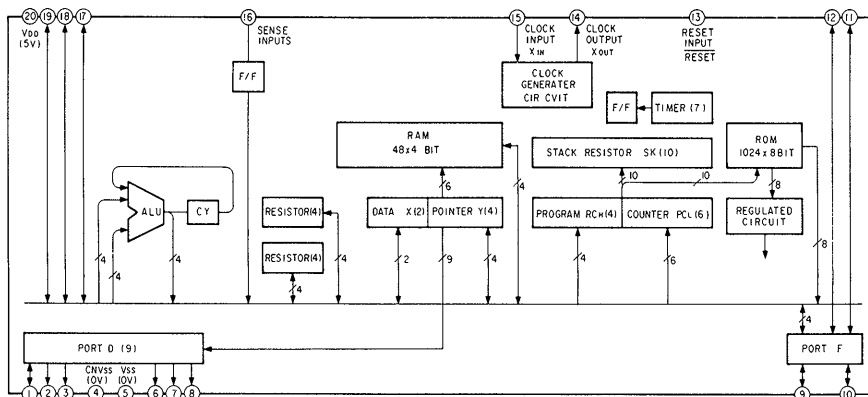
IC102 LC7818



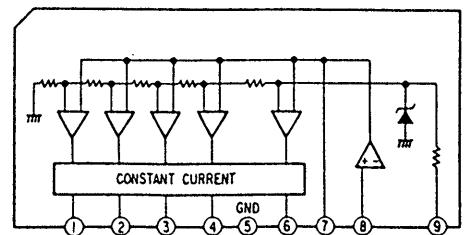
IC300, 400 M5226P



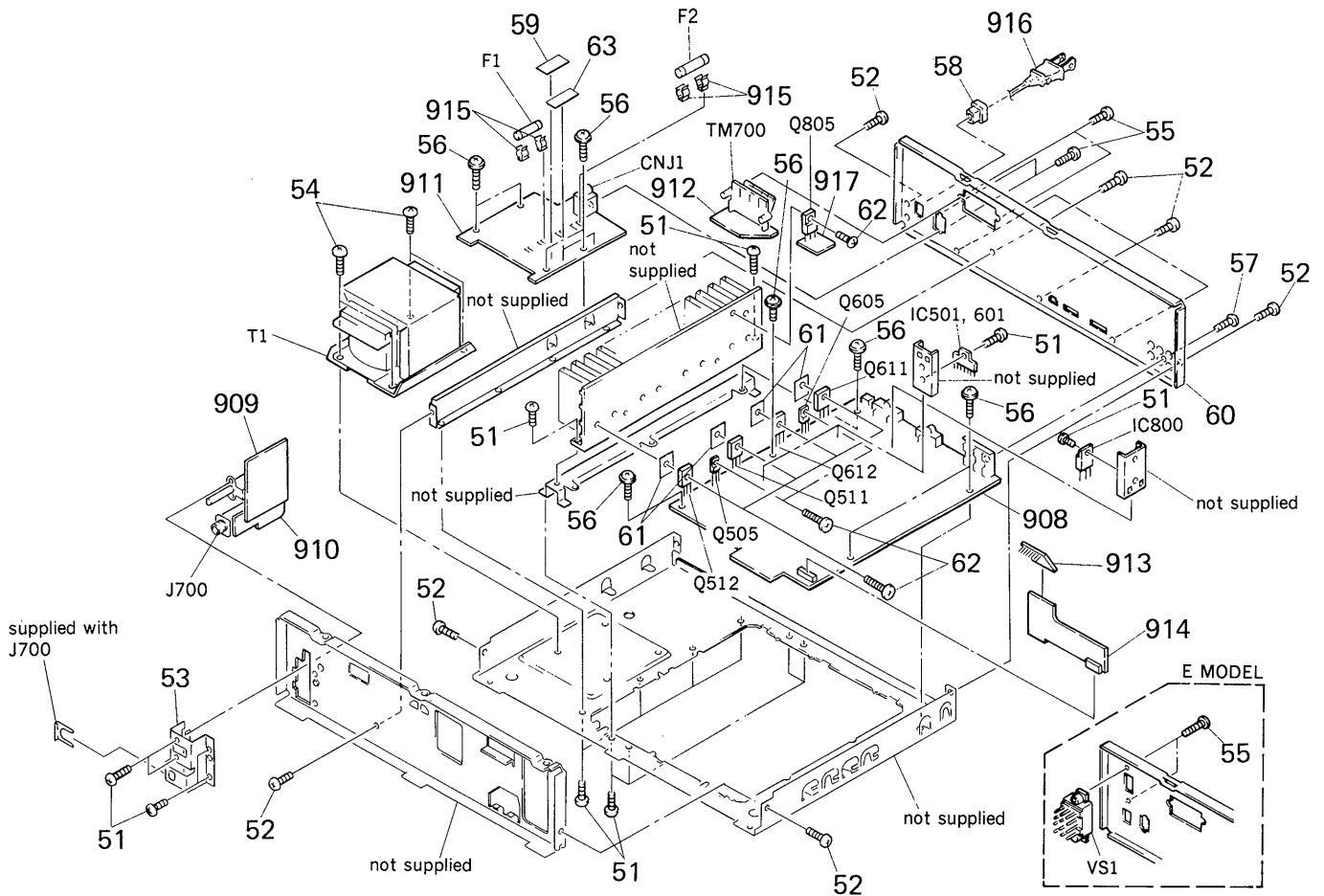
IC901 R50761-439P



IC951, 971 IR2E31A



4-2. CHASSIS SECTION



Note:
The components identified by mark \triangle or dotted line with mark \triangle are critical for safety. Replace only with part number specified.

Note:
Les composants identifiés par une marque \triangle sont critiques pour la sécurité. Ne les remplacer que par une pièce portant le numéro spécifié.

Ref.No	Part No.	Description	Remarks
51	7-682-548-04	SCREW +BVTT 3X8 (S)	
52	7-682-548-09	SCREW +BVTT 3X8 (S)	
53	*4-927-894-01	BRACKET (H.J)	
54	7-682-561-04	SCREW +BVTT 4X8 (S)	
55	7-685-646-79	SCREW +BVTP 3X8 TYPE2 N-S	
56	2-383-566-00	SCREW	
57	7-621-849-00	SCREW, TAPPING	
58	*3-703-244-00	(US, CANADIAN) ... BUSHING (2104), CORD	
58	*3-703-571-11	(E) ... BUSHING (S) (4516), CORD	
59	*3-703-044-26	LABEL, CAUTION	
60	*4-927-883-11	(US) ... PANEL, BACK	
60	*4-927-883-21	(CANADIAN) ... PANEL, BACK	
60	*4-927-883-31	(E) ... PANEL, BACK	
61	4-911-232-01	SHEET, INSULATING	
62	7-682-550-04	SCREW +BVTT 3X12 (S)	
63	*3-701-947-16	(E) ... LABEL (T3.15A), FUSE	
908	*A-4334-238-A	(US) ... MOUNTED PCB, MAIN	
908	*A-4334-259-A	(CANADIAN) ... MOUNTED PCB, MAIN	
908	*A-4334-269-A	(E) ... MOUNTED PCB, MAIN	
909	*1-634-568-11	PC BOARD, SP SW	
910	*1-634-569-11	PC BOARD, HEADPHONE	
911	*1-634-562-11	PC BOARD, PS	
912	*1-634-570-11	PC BOARD, SP OUT	
913	*1-634-574-11	PC BOARD, JOINT (3)	
914	*1-634-573-11	PC BOARD, JOINT (2)	
915	1-533-183-11	HOLDER, FUSE	

Ref.No	Part No.	Description	Remarks
916	\triangle 1-551-188-XX	(E) ... CORD, POWER	
916	\triangle 1-575-105-11	(US, CANADIAN) ... CORD, POWER	
917	*1-634-675-11	(CANADIAN) ... PC BOARD, REG	
CNJ1	\triangle 1-540-038-11	(E) ... OUTLET, AC (NONPOLAR) (1P) (AC OUTLET)	
CNJ1	\triangle 1-540-057-11	(US, CANADIAN) ... OUTLET, AC (POLAR) (AC OUTLET)	
F1	\triangle 1-532-237-00	(E) ... FUSE, TIME-LAG (3.15A)	
F1	\triangle 1-532-748-11	(US, CANADIAN) ... FUSE, GLASS TUBE (6.3A/125V)	
F2	\triangle 1-532-237-00	(E) ... FUSE, TIME-LAG (3.15A)	
IC501	8-759-144-04	IC UPCL342V	
IC601	8-759-144-04	IC UPCL342V	
IC800	8-759-604-33	IC M5F7812	
J700	1-563-255-11	JACK, LARGE TYPE (HEADPHONES)	
Q505	8-729-107-26	TRANSISTOR 2SD1585-K	
Q511	8-729-320-83	TRANSISTOR 2SC3855-OY	
Q512	8-729-320-86	TRANSISTOR 2SA1491-OY	
Q605	8-729-107-26	TRANSISTOR 2SD1585-K	
Q611	8-729-320-83	TRANSISTOR 2SC3855-OY	
Q612	8-729-320-86	TRANSISTOR 2SA1491-OY	
Q805	8-729-209-15	(CANADIAN) ... TRANSISTOR 2SD2012	
T1	\triangle 1-449-737-11	(E) ... TRANSFORMER, POWER	
T1	\triangle 1-450-069-11	(CANADIAN) ... TRANSFORMER, POWER	
T1	\triangle 1-450-070-11	(US) ... TRANSFORMER, POWER	
TM700	1-536-706-00	TERMINAL BOARD (SPEAKER)	
VS1	\triangle 1-571-515-11	(E) ... SWITCH, POWER VOLTAGE SELECTION (VOLTAGE SELECTOR)	

SECTION 5 ELECTRICAL PARTS LIST

NOTE:

- Due to standardization, replacements in the parts list may be different from the parts specified in the diagrams or the components used on the set.
- Items marked "★" are not stocked since they are seldom required for routine service. Some delay should be anticipated when ordering these items.
- If there are two or more same circuits in a set such as a stereophonic machine, only typical circuit parts may be indicated and capacitors and resistors in other same circuits may be omitted.

CAPACITORS:

MF: μ F, PF: μ μ F.

RESISTORS

- All resistors are in ohms.
- F: nonflammable

COILS

- MMH: mH, UH: μ H

SEMICONDUCTORS

In each case, U: μ , for example:

UA...: μ A..., UPA...: μ PA...,
UPC...: μ PC, UPD...: μ PD...

The components identified by mark Δ or dotted line with mark Δ are critical for safety. Replace only with part number specified.

Les composants identifiés par une marque Δ sont critiques pour la sécurité. Ne les remplacer que par une pièce portant le numéro spécifié.

Ref.No	Part No.	Description			
901	*1-634-563-11	PC BOARD, VOL LED			
902	*A-4334-239-A	MOUNTED PCB, DISPLAY			
903	*1-634-564-11	PC BOARD, POWER SW			
904	*1-634-566-11	PC BOARD, BALANCE VOL			
905	*1-634-572-11	PC BOARD, JOINT (1)			
906	*1-634-565-11	PC BOARD, MAIN VOL			
907	*1-634-567-11	PC BOARD, MOTOR			
908	*A-4334-238-A	(US)...MOUNTED PCB, MAIN			
908	*A-4334-259-A	(CANADIAN)...MOUNTED PCB, MAIN			
908	*A-4334-269-A	(E)...MOUNTED PCB, MAIN			
909	*1-634-568-11	PC BOARD, SP SW			
910	*1-634-569-11	PC BOARD, HEADPHONE			
911	*1-634-562-11	PC BOARD, PS			
912	*1-634-570-11	PC BOARD, SP OUT			
913	*1-634-574-11	PC BOARD, JOINT (3)			
914	*1-634-573-11	PC BOARD, JOINT (2)			
915	1-533-183-11	HOLDER, FUSE			
916	Δ 1-551-188-XX	(E)...CORD, POWER			
916	Δ 1-575-105-11	(US, CANADIAN)...CORD, POWER			
917	*1-634-675-11	(CANADIAN)...PC BOARD, REG			
CAPACITOR					
C1	Δ 1-161-744-00	CERAMIC	0.01MF	400V	
C101	1-162-282-31	CERAMIC	100PF	10%	50V
C102	1-126-059-11	ELECT	10MF	20%	50V
C103	1-126-161-11	ELECT	2.2MF	20%	50V
C105	1-130-480-00	MYLAR	0.0056MF	5%	50V
C106	1-130-473-00	MYLAR	0.0015MF	5%	50V
C107	1-126-300-11	ELECT	0.47MF	20%	50V
C108	1-126-049-11	ELECT	22MF	20%	25V
C110	1-162-282-31	CERAMIC	100PF	10%	50V
C117	1-124-045-00	ELECT	4.7MF	20%	50V
C118	1-124-045-00	ELECT	4.7MF	20%	50V
C201	1-162-282-31	CERAMIC	100PF	10%	50V
C202	1-126-059-11	ELECT	10MF	20%	50V
C203	1-126-161-11	ELECT	2.2MF	20%	50V
C205	1-130-480-00	MYLAR	0.0056MF	5%	50V
C206	1-130-473-00	MYLAR	0.0015MF	5%	50V
C207	1-126-300-11	ELECT	0.47MF	20%	50V
C208	1-126-049-11	ELECT	22MF	20%	25V
C210	1-162-282-31	CERAMIC	100PF	10%	50V
C217	1-124-045-00	ELECT	4.7MF	20%	50V
C218	1-124-045-00	ELECT	4.7MF	20%	50V
C300	1-126-163-11	ELECT	4.7MF	20%	50V
C301	1-161-374-11	CERAMIC	0.0015MF	20%	16V
C302	1-126-163-11	ELECT	4.7MF	20%	50V
C303	1-161-020-11	CERAMIC	0.039MF	10%	16V
C304	1-124-254-00	ELECT	0.68MF	20%	50V
C305	1-162-840-11	CERAMIC	0.012MF	10%	16V
C306	1-124-464-11	ELECT	0.22MF	20%	50V
C307	1-161-044-00	CERAMIC	0.0039MF	10%	16V
C308	1-162-849-11	CERAMIC	0.068MF	10%	16V
C309	1-161-040-00	CERAMIC	0.0012MF		16V
C310	1-161-494-00	CERAMIC	0.022MF		25V
C311	1-162-289-31	CERAMIC	390PF	10%	50V

Ref.No	Part No.	Description			
C312	1-161-329-00	CERAMIC	0.0068MF	20%	16V
C313	1-124-438-00	ELECT	1MF	20%	50V
C314	1-124-254-00	ELECT	0.68MF	20%	50V
C353	1-162-282-31	CERAMIC	100PF	10%	50V
C354	1-126-059-11	ELECT	10MF	20%	50V
C355	1-162-211-31	CERAMIC	33PF	5%	50V
C356	1-126-301-11	ELECT	1MF	20%	50V
C357	1-124-045-00	ELECT	4.7MF	20%	50V
C358	1-124-045-00	ELECT	4.7MF	20%	50V
C400	1-126-163-11	ELECT	4.7MF	20%	50V
C401	1-161-374-11	CERAMIC	0.0015MF	20%	16V
C402	1-126-163-11	ELECT	4.7MF	20%	50V
C403	1-161-020-11	CERAMIC	0.039MF	10%	16V
C404	1-124-254-00	ELECT	0.68MF	20%	50V
C405	1-162-840-11	CERAMIC	0.012MF	10%	16V
C406	1-124-464-11	ELECT	0.22MF	20%	50V
C407	1-161-044-00	CERAMIC	0.0039MF	10%	16V
C408	1-162-849-11	CERAMIC	0.068MF	10%	16V
C409	1-161-040-00	CERAMIC	0.0012MF		16V
C410	1-161-494-00	CERAMIC	0.022MF		25V
C411	1-162-289-31	CERAMIC	390PF	10%	50V
C412	1-161-329-00	CERAMIC	0.0068MF	20%	16V
C413	1-124-438-00	ELECT	1MF	20%	50V
C414	1-124-254-00	ELECT	0.68MF	20%	50V
C453	1-162-282-31	CERAMIC	100PF	10%	50V
C454	1-126-059-11	ELECT	10MF	20%	50V
C455	1-162-211-31	CERAMIC	33PF	5%	50V
C457	1-124-045-00	ELECT	4.7MF	20%	50V
C458	1-124-045-00	ELECT	4.7MF	20%	50V
C500	1-124-045-00	ELECT	4.7MF	20%	50V
C502	1-126-022-11	ELECT	47MF	20%	16V
C503	1-102-233-00	CERAMIC	33PF	10%	500V
C504	1-136-163-00	FILM	0.068MF	5%	50V
C506	1-124-918-11	ELECT	47MF	20%	63V
C514	1-136-159-00	(US)...FILM	0.033MF	5%	50V
C514	1-136-163-00	(CANADIAN, E)...FILM	0.068MF	5%	50V
C515	1-136-163-00	(CANADIAN, E)...FILM	0.068MF	5%	50V
C600	1-124-045-00	ELECT	4.7MF	20%	50V
C602	1-126-022-11	ELECT	47MF	20%	16V
C603	1-102-233-00	CERAMIC	33PF	10%	500V
C604	1-136-163-00	FILM	0.068MF	5%	50V
C606	1-124-918-11	ELECT	47MF	20%	63V
C614	1-136-159-00	(US)...FILM	0.033MF	5%	50V
C614	1-136-163-00	(CANADIAN, E)...FILM	0.068MF	5%	50V
C615	1-136-163-00	(CANADIAN, E)...FILM	0.068MF	5%	50V
C700	1-126-022-11	ELECT	47MF	20%	10V
C701	1-124-443-00	ELECT	100MF	20%	6.3V
C702	1-126-059-11	ELECT	10MF	20%	50V
C703	1-126-022-11	ELECT	47MF	20%	10V
C708	1-161-494-00	CERAMIC	0.022MF		25V
C801	1-126-358-11	(E)...ELECT	10000MF	20%	71V

Ref.No	Part No.	Description					Ref.No	Part No.	Description
C801	1-125-479-11	(US, CANADIAN).... ELECT	10000MF	20%	63V		CNP808	*1-569-599-11	PIN, CONNECTOR 3P
C802	1-126-358-11	(E)....ELECT	10000MF	20%	71V		CNP809	*1-569-599-11	PIN, CONNECTOR 3P
C802	1-125-479-11	(US, CANADIAN).... ELECT	10000MF	20%	63V		CNP880	*1-569-596-11	(CANADIAN)....PLUG, CONNECTOR 3P
C804	1-124-962-11	ELECT	2200MF	20%	25V		CNP901	*1-565-353-11	PIN, CONNECTOR 15P
C805	1-124-962-11	ELECT	2200MF	20%	25V		CNP902	1-506-906-11	PIN, CONNECTOR 5P
C806	1-126-059-11	ELECT	10MF	20%	50V		CNP903	1-506-906-11	PIN, CONNECTOR 5P
C807	1-126-059-11	ELECT	10MF	20%	50V		CNP905	*1-565-295-11	PLUG, CONNECTOR 4P
C808	1-124-997-11	ELECT	470MF	20%	10V		CNP906A	*1-566-690-11	PLUG, CONNECTOR (2.5MM) 2P
C809	1-126-376-11	(CANADIAN).... ELECT	470MF	20%	25V		CNP906B	*1-569-602-11	PIN, CONNECTOR 11P
C809	1-124-480-11	(US)....ELECT	470MF	20%	25V		CNP907	*1-569-602-11	PIN, CONNECTOR 11P
C809	1-126-857-71	(E)....ELECT	470MF	20%	35V		D300	8-719-912-20	DIODE 1SS120
C812	1-126-301-11	(E)....ELECT	1MF	20%	50V		D503	8-719-815-85	DIODE 1S1585
C818	1-126-233-11	ELECT	22MF	20%	50V		D504	8-719-815-85	DIODE 1S1585
C819	1-124-122-11	ELECT	100MF	20%	35V		D603	8-719-815-85	DIODE 1S1585
C820	1-126-022-11	ELECT	47MF	20%	10V		D604	8-719-815-85	DIODE 1S1585
C823	1-161-494-00	CERAMIC	0.022MF		25V		D700	8-719-200-02	DIODE 10E2
C824	1-126-024-11	(CANADIAN).... ELECT	220MF	20%	16V		D701	8-719-912-20	DIODE 1SS120
C825	1-126-022-11	(CANADIAN).... ELECT	47MF	20%	16V		D702	8-719-912-20	(CANADIAN, E)....DIODE 1SS120
C904	1-130-471-00	MYLAR	0.001MF	5%	50V		D800	8-719-200-80	DIODE D300
C906	1-161-494-00	CERAMIC	0.022MF		25V		D801	8-719-200-80	DIODE D300
C907	1-126-049-11	ELECT	22MF	20%	25V		D802	8-719-200-02	DIODE 10E2
C908	1-126-301-11	ELECT	1MF	20%	50V		D803	8-719-200-02	DIODE 10E2
C909	1-126-059-11	ELECT	10MF	20%	50V		D804	8-719-200-02	DIODE 10E2
C910	1-126-059-11	ELECT	10MF	20%	50V		D805	8-719-200-02	DIODE 10E2
C911	1-161-494-00	CERAMIC	0.022MF		25V		D806	8-719-912-20	DIODE 1SS120
C912	1-101-361-00	CERAMIC	150PF	5%	50V		D807	8-719-200-77	(US, CANADIAN)....DIODE 10E2N
C913	1-101-361-00	CERAMIC	150PF	5%	50V		D807	8-719-511-40	(E)....DIODE S1VB40
C915	1-126-161-11	ELECT	2.2MF	20%	50V		D808	8-719-933-40	DIODE HZS6C2L
C916	1-126-049-11	ELECT	22MF	20%	25V		D809	8-719-001-54	(CANADIAN)....DIODE UZL-11H2
C917	1-126-161-11	ELECT	2.2MF	20%	50V		D814	8-719-934-22	DIODE HZS30-2L
C918	1-161-494-00	CERAMIC	0.022MF		25V		D901	8-719-912-20	DIODE 1SS120
C919	1-162-306-11	CERAMIC	0.01MF	20%	16V		D905	8-719-933-48	DIODE HZS7B3L
C920	1-162-306-11	CERAMIC	0.01MF	20%	16V		D906	8-719-301-38	DIODE SEL2210S-C
C921	1-162-306-11	CERAMIC	0.01MF	20%	16V		D907	8-719-301-38	DIODE SEL2210S-C
C926	1-161-494-00	CERAMIC	0.022MF		25V		D908	8-719-301-38	DIODE SEL2210S-C
C927	1-161-494-00	CERAMIC	0.022MF		25V		D909	8-719-301-38	DIODE SEL2210S-C
C950	1-124-257-00	ELECT	2.2MF	20%	50V		D910	8-719-301-38	DIODE SEL2210S-C
C951	1-124-261-00	ELECT	10MF	20%	50V		D911	8-719-951-11	DIODE HZ5ALL
C952	1-124-261-00	ELECT	10MF	20%	50V		D913	8-719-912-20	DIODE 1SS120
C970	1-124-257-00	ELECT	2.2MF	20%	50V		D918	8-719-303-00	DIODE SEL2510C
C971	1-124-443-00	ELECT	100MF	20%	10V		D919	8-719-912-20	(CANADIAN, E)....DIODE 1SS120
C972	1-124-261-00	ELECT	10MF	20%	50V		D926	8-719-912-20	DIODE 1SS120
CN906	1-569-614-11	PLUG, CONNECTOR 2P					D927	8-719-301-52	DIODE SEL2810A-C
CNJ1	△-1-540-038-11	(E)....OUTLET, AC (NONPOLAR) (1P) (AC OUTLET)					D950	8-719-302-45	DIODE SEL1210S
CNJ1	△-1-540-057-11	(US, CANADIAN)....OUTLET, AC (POLAR) (AC OUTLET)					D951	8-719-302-45	DIODE SEL1210S
CNJ100	*1-566-858-11	SOCKET, CONNECTOR 11P (SYSTEM CONTROL2)					D952	8-719-302-45	DIODE SEL1210S
CNJ801	*1-566-210-11	PIN, CONNECTOR 3P (SYSTEM CONTROL3)					D953	8-719-302-45	DIODE SEL1210S
CNJ802	*1-566-858-11	SOCKET, CONNECTOR 11P (SYSTEM CONTROL1)					D954	8-719-302-45	DIODE SEL1210S
CNJ901	*1-565-354-11	SOCKET, CONNECTOR 15P					D970	8-719-302-45	DIODE SEL1210S
CNJ902	*1-561-650-00	SOCKET, CONNECTOR 5P					D971	8-719-302-45	DIODE SEL1210S
CNJ903	*1-561-650-00	SOCKET, CONNECTOR 5P					D972	8-719-302-45	DIODE SEL1210S
CNJ905	1-565-296-11	SOCKET, CONNECTOR 4P					D973	8-719-302-45	DIODE SEL1210S
CNJ906	*1-569-597-11	HOUSING, CONNECTOR 11P					D974	8-719-302-45	DIODE SEL1210S
CNJ907	*1-562-935-11	SOCKET, CONNECTOR 11P					F1	△-1-532-237-00	(E)....FUSE, TIME-LAG (3.15A)
CNP701	*1-569-598-11	PIN, CONNECTOR 2P					F1	△-1-532-748-11	(US, CANADIAN)....FUSE, GLASS TUBE (6.3A/125V)
CNP702	*1-569-598-11	PIN, CONNECTOR 2P					F2	△-1-532-237-00	(E)....FUSE, TIME-LAG (3.15A)
CNP703	*1-569-598-11	PIN, CONNECTOR 2P					F803	△-1-532-783-21	(US, CANADIAN)....FUSE, MICRO (SECONDARY) (5A)
CNP802	*1-564-321-00	(US, CANADIAN)....PIN, CONNECTOR 2P					F804	△-1-532-783-21	(US, CANADIAN)....FUSE, MICRO (SECONDARY) (5A)
CNP806	*1-569-596-11	PLUG, CONNECTOR 3P					F805	△-1-532-778-21	(US, CANADIAN)....FUSE, MICRO (SECONDARY) (1.6A)
							IC100	8-759-112-93	IC UPC4570HA-1
							IC102	8-759-802-52	IC LC7818
							IC300	8-759-602-04	IC M5226P

Note:

The components identified by mark △ or dotted line with mark △ are critical for safety. Replace only with part number specified.

Note:

Les composants identifiés par une marque △ sont critiques pour la sécurité. Ne les remplacer que par une pièce portant le numéro spécifié.

Ref.No	Part No.	Description
IC301	8-759-112-93	IC UPC4570HA-1
IC400	8-759-602-04	IC M5226P
IC501	8-759-144-04	IC UPC1342V
IC601	8-759-144-04	IC UPC1342V
IC700	8-759-111-68	IC UPC1237HA
IC800	8-759-604-33	IC M5F7812
IC801	8-759-604-49	IC M5F7909
IC802	8-759-604-33	(E)...IC M5F7812
IC900	8-749-920-59	IC A1QH3020S
IC901	8-759-632-61	IC M50761-258P
IC951	8-759-917-42	IC IR2E31A
IC971	8-759-917-42	IC IR2E31A
ICP800 ^A	1-532-686-00	(E)...LINK,IC (ICP-N75) (2.7A)
ICP801 ^A	1-532-686-00	(E)...LINK,IC (ICP-N75) (2.7A)
ICP802 ^A	1-532-675-21	(E)...LINK,IC (ICP-N38) (1.5A)
J100	1-565-320-11	JACK, PIN 6P (VIDEO/AUDIO/CD/PHONO IN)
J700	1-563-255-11	JACK, LARGE TYPE (HEADPHONES)
L500	*1-420-872-00	COIL, AIR CORE
L600	*1-420-872-00	COIL, AIR CORE
Q103	8-729-620-05	TRANSISTOR 2SC2603-EF
Q203	8-729-620-05	TRANSISTOR 2SC2603-EF
Q301	8-729-224-63	TRANSISTOR 2SK246-BL
Q302	8-729-620-05	TRANSISTOR 2SC2603-EF
Q305	8-729-141-26	TRANSISTOR 2SC3622A-LK
Q401	8-729-224-63	TRANSISTOR 2SK246-BL
Q402	8-729-620-05	TRANSISTOR 2SC2603-EF
Q405	8-729-141-26	TRANSISTOR 2SC3622A-LK
Q505	8-729-107-26	TRANSISTOR 2SD1585-K
Q508	8-729-119-78	TRANSISTOR 2SC2785-HFE
Q509	8-729-119-76	TRANSISTOR 2SA1175-HFE
Q511	8-729-320-83	TRANSISTOR 2SC3855-OY
Q512	8-729-320-86	TRANSISTOR 2SA1491-OY
Q514	8-729-140-84	TRANSISTOR 2SC1841-PAFAEA
Q605	8-729-107-26	TRANSISTOR 2SD1585-K
Q608	8-729-119-78	TRANSISTOR 2SC2785-HFE
Q609	8-729-119-76	TRANSISTOR 2SA1175-HFE
Q611	8-729-320-83	TRANSISTOR 2SC3855-OY
Q612	8-729-320-86	TRANSISTOR 2SA1491-OY
Q614	8-729-140-84	TRANSISTOR 2SC1841-PAFAEA
Q700	8-729-900-63	TRANSISTOR DTA124ES
Q800	8-729-140-96	TRANSISTOR 2SD774-34
Q804	8-729-801-93	TRANSISTOR 2SD1387
Q805	8-729-209-15	(CANADIAN)...TRANSISTOR 2SD2012
Q872	8-729-118-01	TRANSISTOR 2SB1116
Q900	8-729-620-05	TRANSISTOR 2SC2603-EF
Q901	8-729-620-05	TRANSISTOR 2SC2603-EF
Q902	8-729-900-80	TRANSISTOR DTC114ES
Q903	8-729-620-05	TRANSISTOR 2SC2603-EF
Q904	8-729-119-76	TRANSISTOR 2SA1175-HFE
Q905	8-729-900-61	TRANSISTOR DTA114ES
Q908	8-729-111-29	TRANSISTOR 2SD1616A-K
Q909	8-729-118-01	TRANSISTOR 2SB1116
Q913	8-729-620-05	TRANSISTOR 2SC2603-EF
Q914	8-729-620-05	TRANSISTOR 2SC2603-EF
Q915	8-729-620-05	TRANSISTOR 2SC2603-EF
Q916	8-729-900-63	TRANSISTOR DTA124ES
Q918	8-729-900-63	TRANSISTOR DTA124ES
Q919	8-729-900-36	TRANSISTOR DTC124ES
Q922	8-729-900-63	TRANSISTOR DTA124ES
Q971	8-729-620-05	TRANSISTOR 2SC2603-EF

Ref.No	Part No.	Description
RESISTOR		
R1	1-202-725-00	(US, CANADIAN)... SOLID 3.3M 10% 1/2W
R100	1-249-441-11	CARBON 100K 5% 1/4W
R101	1-249-411-11	CARBON 330 5% 1/4W
R102	1-249-441-11	CARBON 100K 5% 1/4W
R103	1-249-416-11	CARBON 820 5% 1/4W
R104	1-247-897-11	CARBON 560K 5% 1/4W
R105	1-249-437-11	CARBON 47K 5% 1/4W
R106	1-249-409-11	CARBON 220 5% 1/4W
R107	1-249-441-11	CARBON 100K 5% 1/4W
R108	1-249-418-11	CARBON 1.2K 5% 1/4W
R110	1-249-430-11	CARBON 12K 5% 1/4W
R112	1-249-418-11	CARBON 1.2K 5% 1/4W
R114	1-249-413-11	CARBON 470 5% 1/4W
R116	1-249-418-11	CARBON 1.2K 5% 1/4W
R118	1-249-441-11	CARBON 100K 5% 1/4W
R119	1-247-885-00	CARBON 180K 5% 1/4W
R120	1-249-417-11	CARBON 1K 5% 1/4W
R121	1-249-417-11	CARBON 1K 5% 1/4W
R200	1-249-441-11	CARBON 100K 5% 1/4W
R201	1-249-411-11	CARBON 330 5% 1/4W
R202	1-249-441-11	CARBON 100K 5% 1/4W
R203	1-249-416-11	CARBON 820 5% 1/4W
R204	1-247-897-11	CARBON 560K 5% 1/4W
R205	1-249-437-11	CARBON 47K 5% 1/4W
R206	1-249-409-11	CARBON 220 5% 1/4W
R207	1-249-441-11	CARBON 100K 5% 1/4W
R208	1-249-418-11	CARBON 1.2K 5% 1/4W
R210	1-249-430-11	CARBON 12K 5% 1/4W
R212	1-249-418-11	CARBON 1.2K 5% 1/4W
R214	1-249-413-11	CARBON 470 5% 1/4W
R216	1-249-418-11	CARBON 1.2K 5% 1/4W
R218	1-249-441-11	CARBON 100K 5% 1/4W
R219	1-247-885-00	CARBON 180K 5% 1/4W
R220	1-249-417-11	CARBON 1K 5% 1/4W
R221	1-249-417-11	CARBON 1K 5% 1/4W
R300	1-249-434-11	CARBON 27K 5% 1/4W
R301	1-247-876-11	CARBON 75K 5% 1/4W
R302	1-249-425-11	CARBON 4.7K 5% 1/4W
R303	1-249-419-11	CARBON 1.5K 5% 1/4W
R304	1-247-903-00	CARBON 1M 5% 1/4W
R305	1-249-409-11	CARBON 220 5% 1/4W
R306	1-249-438-11	CARBON 56K 5% 1/4W
R307	1-249-426-11	CARBON 5.6K 5% 1/4W
R308	1-249-412-11	CARBON 390 5% 1/4W
R309	1-249-441-11	CARBON 100K 5% 1/4W
R310	1-249-441-11	CARBON 100K 5% 1/4W
R311	1-249-421-11	CARBON 2.2K 5% 1/4W
R327	1-249-417-11	CARBON 1K 5% 1/4W
R330	1-249-417-11	CARBON 1K 5% 1/4W
R352	1-249-438-11	CARBON 56K 5% 1/4W
R354	1-249-436-11	CARBON 39K 5% 1/4W
R356	1-249-425-11	CARBON 4.7K 5% 1/4W
R358	1-249-429-11	CARBON 10K 5% 1/4W
R359	1-249-441-11	CARBON 100K 5% 1/4W
R400	1-249-434-11	CARBON 27K 5% 1/4W
R401	1-247-876-11	CARBON 75K 5% 1/4W
R402	1-249-425-11	CARBON 4.7K 5% 1/4W
R403	1-249-419-11	CARBON 1.5K 5% 1/4W
R404	1-247-903-00	CARBON 1M 5% 1/4W
R405	1-249-409-11	CARBON 220 5% 1/4W
R406	1-249-438-11	CARBON 56K 5% 1/4W
R407	1-249-426-11	CARBON 5.6K 5% 1/4W
R408	1-249-412-11	CARBON 390 5% 1/4W

Note:
The components identified by mark ^A or dotted line with mark ^A are critical for safety. Replace only with part number specified.

Note:
Les composants identifiés par une marque ^A sont critiques pour la sécurité. Ne les remplacer que par une pièce portant le numéro spécifié.

Ref.No	Part No.	Description				
R411	1-249-421-11	CARBON	2.2K	5%	1/4W	
R427	1-249-417-11	CARBON	1K	5%	1/4W	
R430	1-249-417-11	CARBON	1K	5%	1/4W	
R431	1-247-901-11	CARBON	820K	5%	1/4W	
R452	1-249-438-11	CARBON	56K	5%	1/4W	
R454	1-249-436-11	CARBON	39K	5%	1/4W	
R456	1-249-425-11	CARBON	4.7K	5%	1/4W	
R459	1-249-441-11	CARBON	100K	5%	1/4W	
R500	1-249-441-11	CARBON	100K	5%	1/4W	
R502	1-249-417-11	CARBON	1K	5%	1/4W	
R503	1-249-438-11	CARBON	56K	5%	1/4W	
R504	1-249-417-11	CARBON	1K	5%	1/4W	
R505	1-249-438-11	CARBON	56K	5%	1/4W	
R507	1-249-431-11	CARBON	15K	5%	1/4W	
R508	1-249-419-11	CARBON	1.5K	5%	1/4W	
R509	1-249-423-11	CARBON	3.3K	5%	1/4W	
R510	△.1-247-688-11	CARBON	10	5%	1/4W	F
R511	△.1-247-688-11	CARBON	10	5%	1/4W	F
R512	1-214-789-00	RES, METAL PLATE	0.1			
R513	1-214-789-00	RES, METAL PLATE	0.1			
R515	△.1-247-713-11	CARBON	1K	5%	1/4W	F
R516	△.1-247-713-11	CARBON	1K	5%	1/4W	F
R530	△.1-247-700-11	CARBON	100	5%	1/4W	F
R531	1-249-434-11	CARBON	27K	5%	1/4W	
R532	1-247-727-11	CARBON	10	5%	1/2W	
R533	1-249-437-11	CARBON	47K	5%	1/4W	
R534	1-247-727-11	CARBON	10	5%	1/2W	
R537	△.1-212-942-00	FUSIBLE	2.2	5%	1/2W	F
R597	△.1-215-869-11	METAL OXIDE	1K	5%	1W	F
R600	1-249-441-11	CARBON	100K	5%	1/4W	
R602	1-249-417-11	CARBON	1K	5%	1/4W	
R603	1-249-438-11	CARBON	56K	5%	1/4W	
R604	1-249-417-11	CARBON	1K	5%	1/4W	
R605	1-249-438-11	CARBON	56K	5%	1/4W	
R607	1-249-431-11	CARBON	15K	5%	1/4W	
R608	1-249-419-11	CARBON	1.5K	5%	1/4W	
R609	1-249-423-11	CARBON	3.3K	5%	1/4W	
R610	△.1-247-688-11	CARBON	10	5%	1/4W	F
R611	△.1-247-688-11	CARBON	10	5%	1/4W	F
R612	1-214-789-00	RES, METAL PLATE	0.1			
R613	1-214-789-00	RES, METAL PLATE	0.1			
R615	△.1-247-713-11	CARBON	1K	5%	1/4W	F
R616	△.1-247-713-11	CARBON	1K	5%	1/4W	F
R630	△.1-247-700-11	CARBON	100	5%	1/4W	F
R631	1-249-434-11	CARBON	27K	5%	1/4W	
R632	1-247-727-11	CARBON	10	5%	1/2W	
R633	1-249-438-11	CARBON	56K	5%	1/4W	
R634	1-247-727-11	CARBON	10	5%	1/2W	
R637	△.1-212-942-00	FUSIBLE	2.2	5%	1/2W	F
R697	△.1-215-869-11	METAL OXIDE	1K	5%	1W	F
R701	1-249-427-11	CARBON	6.8K	5%	1/4W	
R702	1-249-441-11	CARBON	100K	5%	1/4W	
R703	1-249-441-11	CARBON	100K	5%	1/4W	
R704	1-249-433-11	CARBON	22K	5%	1/4W	
R705	1-249-435-11	CARBON	33K	5%	1/4W	
R706	△.1-206-724-00	METAL OXIDE	910	5%	3W	F
R802	1-249-416-11	CARBON	820	5%	1/4W	
R803	1-249-425-11	CARBON	4.7K	5%	1/4W	
R805	1-249-425-11	CARBON	4.7K	5%	1/4W	
R808	1-249-399-11	(US.CANADIAN).... CARBON	33	5%	1/4W	
R810	△.1-215-871-11	METAL OXIDE	2.2K	5%	1W	F
R811	1-249-397-11	(US.E).... CARBON	22	5%	1/4W	
R811	△.1-247-692-11	(CANADIAN).... CARBON	22	5%	1/4W	F

Ref.No	Part No.	Description				
R814	1-249-415-11	CARBON	680	5%	1/4W	
R815	1-249-426-11	CARBON	5.6K	5%	1/4W	
R816	△.1-212-942-00	FUSIBLE	2.2	5%	1/2W	F
R817	1-249-423-11	(CANADIAN).... CARBON	3.3K	5%	1/4W	
R903	1-249-429-11	CARBON	10K	5%	1/4W	
R906	1-249-429-11	CARBON	10K	5%	1/4W	
R907	1-249-417-11	CARBON	1K	5%	1/4W	
R908	1-249-429-11	CARBON	10K	5%	1/4W	
R909	1-249-417-11	CARBON	1K	5%	1/4W	
R910	1-249-393-11	CARBON	10	5%	1/4W	
R911	1-247-901-11	CARBON	820K	5%	1/4W	
R913	1-249-433-11	CARBON	22K	5%	1/4W	
R914	1-249-433-11	CARBON	22K	5%	1/4W	
R915	1-249-429-11	CARBON	10K	5%	1/4W	
R916	1-249-429-11	CARBON	10K	5%	1/4W	
R917	1-249-433-11	CARBON	22K	5%	1/4W	
R918	1-249-441-11	CARBON	100K	5%	1/4W	
R919	1-249-433-11	CARBON	22K	5%	1/4W	
R920	1-249-417-11	CARBON	1K	5%	1/4W	
R921	1-249-433-11	CARBON	22K	5%	1/4W	
R922	1-249-441-11	CARBON	100K	5%	1/4W	
R923	1-249-441-11	CARBON	100K	5%	1/4W	
R924	1-249-429-11	CARBON	10K	5%	1/4W	
R925	1-249-413-11	CARBON	470	5%	1/4W	
R926	1-249-413-11	CARBON	470	5%	1/4W	
R927	1-249-413-11	CARBON	470	5%	1/4W	
R928	1-249-413-11	CARBON	470	5%	1/4W	
R929	1-249-413-11	CARBON	470	5%	1/4W	
R930	1-249-417-11	CARBON	1K	5%	1/4W	
R931	1-249-419-11	CARBON	1.5K	5%	1/4W	
R932	1-249-394-11	CARBON	12	5%	1/4W	
R933	1-249-394-11	CARBON	12	5%	1/4W	
R934	1-249-441-11	CARBON	100K	5%	1/4W	
R937	1-249-441-11	CARBON	100K	5%	1/4W	
R938	1-249-433-11	CARBON	22K	5%	1/4W	
R939	1-249-433-11	CARBON	22K	5%	1/4W	
R940	1-247-903-00	CARBON	1M	5%	1/4W	
R941	1-249-423-11	CARBON	3.3K	5%	1/4W	
R942	1-249-433-11	CARBON	22K	5%	1/4W	
R946	1-249-423-11	CARBON	3.3K	5%	1/4W	
R948	1-249-413-11	CARBON	470	5%	1/4W	
R949	1-249-417-11	CARBON	1K	5%	1/4W	
R950	1-249-441-11	CARBON	100K	5%	1/4W	
R951	1-249-405-11	CARBON	100	5%	1/4W	
R952	1-249-411-11	CARBON	330	5%	1/4W	
R953	1-249-441-11	CARBON	100K	5%	1/4W	
R970	1-249-441-11	CARBON	100K	5%	1/4W	
R971	1-249-405-11	CARBON	100	5%	1/4W	
R972	1-249-423-11	CARBON	3.3K	5%	1/4W	
R973	1-249-441-11	CARBON	100K	5%	1/4W	
R985	1-247-751-11	CARBON	820	5%	1/2W	
R987	1-249-433-11	CARBON	22K	5%	1/4W	
R989	1-249-433-11	CARBON	22K	5%	1/4W	
R990	1-249-433-11	CARBON	22K	5%	1/4W	
R991	1-249-433-11	CARBON	22K	5%	1/4W	
R992	1-249-433-11	CARBON	22K	5%	1/4W	
R993	1-249-433-11	CARBON	22K	5%	1/4W	
R996	1-247-727-11	CARBON	10	5%	1/2W	
RV301	1-241-021-11	RES, VAR, SLIDE 250K (100Hz)				
RV302	1-241-021-11	RES, VAR, SLIDE 250K (330Hz)				
RV303	1-241-021-11	RES, VAR, SLIDE 250K (1KHz)				
RV304	1-241-021-11	RES, VAR, SLIDE 250K (3.3Hz)				
RV305	1-241-021-11	RES, VAR, SLIDE 250K (10KHz)				
RV306	1-241-022-11	RES, VAR, CARBON 150K/150K (BALANCE)				

Note:



The components identified by mark △ or dotted line with mark △ are critical for safety. Replace only with part number specified.

Note:


Les composants identifiés par une marque △ sont critiques pour la sécurité. Ne les remplacer que par une pièce portant le numéro spécifié.

Ref.No	Part No.	Description
RV307	1-238-079-11	RES, VAR, CARBON(MOTOR) 100K/100K (VOLUME)
RV401	1-241-021-11	RES, VAR, SLIDE 250K (100Hz)
RV402	1-241-021-11	RES, VAR, SLIDE 250K (330Hz)
RV403	1-241-021-11	RES, VAR, SLIDE 250K (1KHz)
RV404	1-241-021-11	RES, VAR, SLIDE 250K (3.3KHz)
RV405	1-241-021-11	RES, VAR, SLIDE 250K (10KHz)
RV501	1-228-990-00	RES, ADJ, CARBON 1K
RV601	1-228-990-00	RES, ADJ, CARBON 1K
RY700	1-515-356-00	RELAY
RY901	1-515-617-11	(E)...RELAY
RY901	1-515-701-11	(US, CANADIAN)...RELAY
S1	1-554-303-21	SWITCH, KEY BOARD (PHONO)
S2	1-554-303-21	SWITCH, KEY BOARD (TUNER)
S3	1-554-303-21	SWITCH, KEY BOARD (CD)
S4	1-554-303-21	SWITCH, KEY BOARD (TAPE)
S5	1-554-303-21	SWITCH, KEY BOARD (VIDEO)
S6	1-554-303-21	SWITCH, KEY BOARD (DBFB)
S7	1-554-303-21	SWITCH, KEY BOARD (SYSTEM POWER)
S500	1-571-861-11	SWITCH, ROTARY SLIDE (SPEAKER)
T1	△,1-449-737-11	(E)...TRANSFORMER, POWER
T1	△,1-450-069-11	(CANADIAN)...TRANSFORMER, POWER
T1	△,1-450-070-11	(US)...TRANSFORMER, POWER
T2	△,1-449-993-21	(US, CANADIAN)...TRANSFORMER, POWER
T2	△,1-450-063-11	(E)...TRANSFORMER, POWER
TB502	*1-535-115-00	TERMINAL
TB602	*1-535-115-00	TERMINAL
TB703	*1-508-831-12	H TYPE BASE POST 4P
TB805	*1-535-140-00	(E)...BASE POST 22MM (10MM PITCH) 3P
TB806	*1-535-140-00	(E)...BASE POST 22MM (10MM PITCH) 3P
TB807	*1-535-115-00	(E)...TERMINAL
TB810	*1-535-115-00	(E)...TERMINAL
TM700	1-536-706-00	TERMINAL BOARD (SPEAKER)
VS1	△,1-571-515-11	(E)...SWITCH, POWER VOLTAGE SELECTION (VOLTAGE SELECTOR)
X901	1-577-077-11	OSCILLATOR, CERAMIC (400KHz)

Note:

The components identified by mark  or dotted line with mark  are critical for safety. Replace only with part number specified.

Note:

Les composants identifiés par une marque  sont critiques pour la sécurité. Ne les remplacer que par une pièce portant le numéro spécifié.

TA-AX301


SONY[®] SERVICE MANUAL

*US Model
Canadian Model
E Model*

CORRECTION-1

Correct your service manual as shown below.

 : indicates corrected portion.

Page	INCORRECT				CORRECT		
	Ref. No.	Part No.	Description	Remark	Part No.	Description	Remark
18	1	X-4991-213-1	PANEL ASSY, FRONT		 A-4323-704-A	PANEL ASSY, FRONT	

